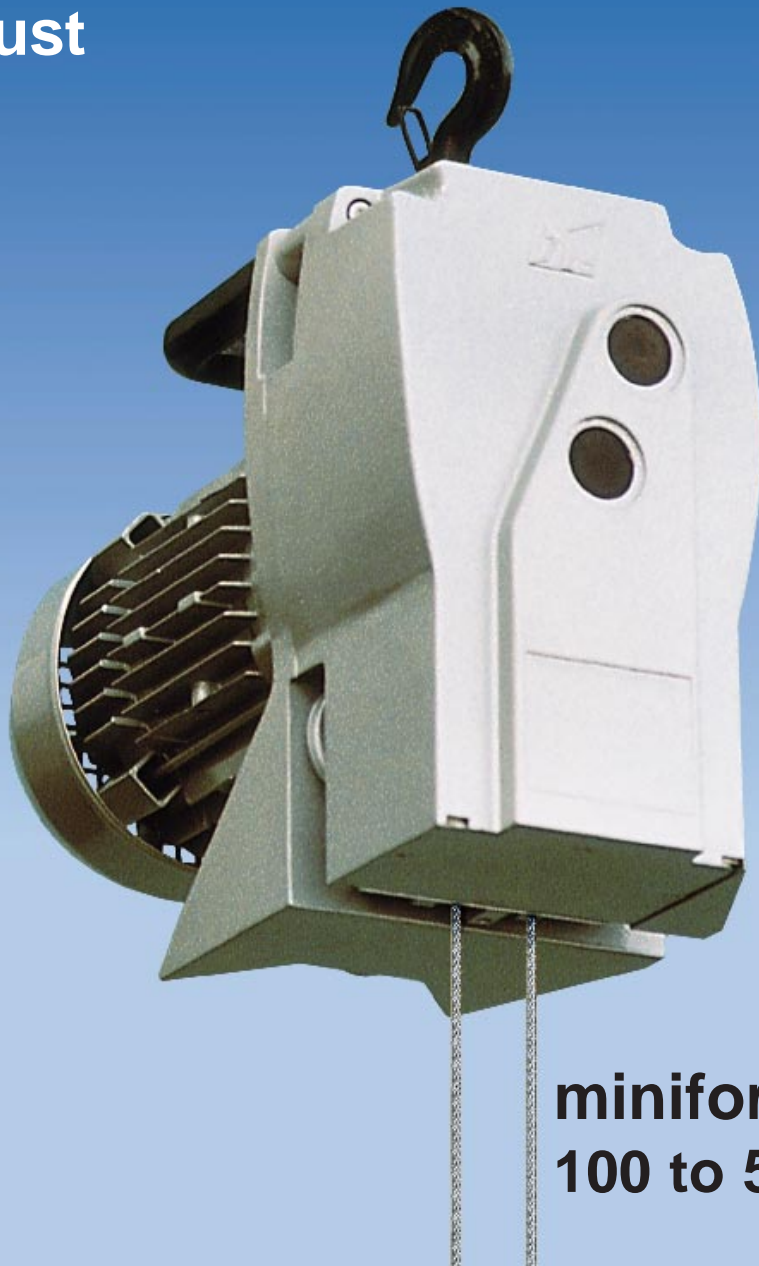


# minifor<sup>®</sup>

portable electric hoists  
with unlimited height of lift

- easy to handle
- powerful
- robust



CE

**minifor**  
**100 to 500 kg range**

# minifor® TR 10 - TR 30

*With its simple and efficient design the minifor range makes it easy for you to choose the right hoist for your applications.*

These two versions give you :

- unlimited length of hoist cable, adapted to the requirement
- light, easy to handle aluminium alloy design
- integral handle for easy carrying
- suitable for building sites, fast setup
- efficient operation with swivelling suspension hook
- extremely good weight/power ratio
- reduced maintenance
- quiet operation (70 dB)
- operational safety :
  - upper and lower limit switches
  - brake motor
  - pendant control with emergency stop
  - CE socket

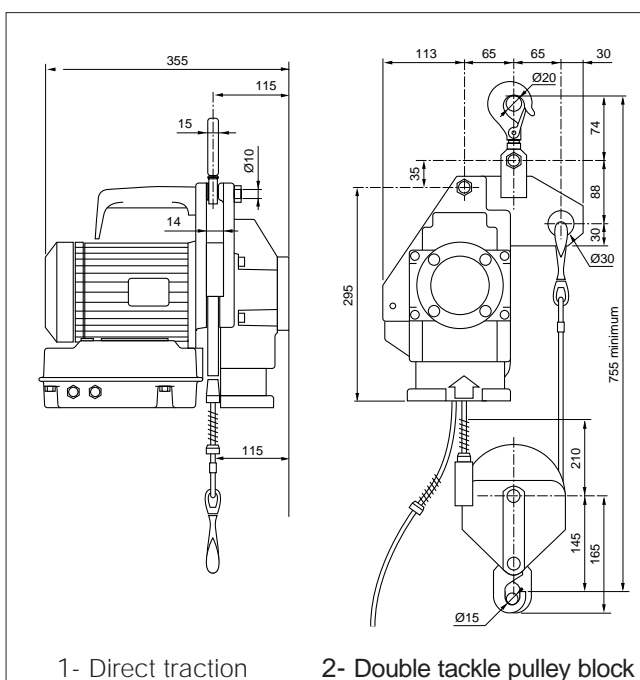
Conform to European directive no. 89/392 - 91/368 - 93/44 - 93/68 - 89/336 and to standards EN 50 081-2 and 50 082-2.

## Options :

- Spring cable reel, capacity 20 m and 40 m
- 9m/min 3-phase version, 48 VAC control, 0.55 kW motor (TR30 only) - diagram n°1
- Special motors
- Long power supply and remote control cables
- Pulley block kit - diagram n°2
- Self-locking hook
- Radio remote control with «lift/lower» function

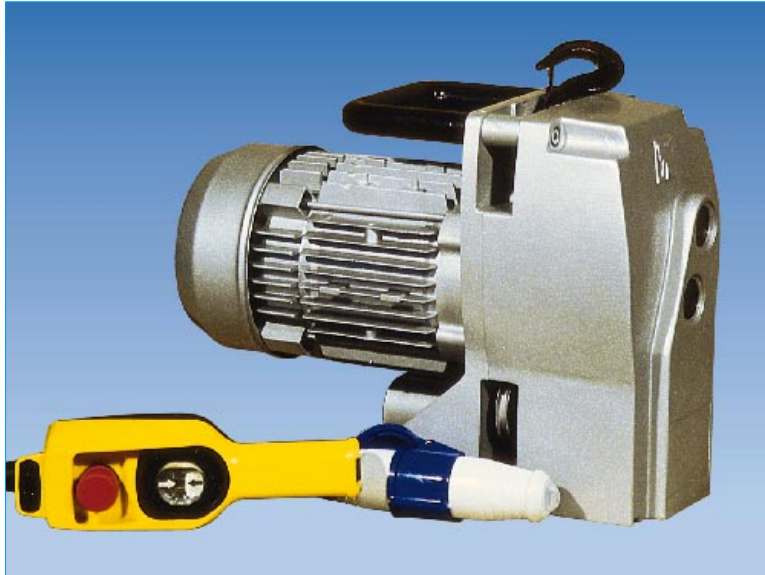


Model	unit	TR 10	TR 30
Hoisting capacity	kg	100	300
Hoisting speed	m/min	15	5 single ph. 9 - 3 phase
Weight of hoist	kg	20	20.2
Dimensions mm	mm	355x420x180Cable diameter 5	
Cable weight (per m)	kg	0.105	
Motor power			
single phase	kW	0.37	
3-phase	kW	0.55	
Cable breaking load factor 5	kg	1500	
Power supply		115 V - 50 & 60 Hz - 230 - 50 Hz 3-phase 230- 400 V - 50 Hz	
Operating factor	%	40	
Double insulated control pendant		IP 65 - 3 controls	
Degree of protection		IP 55	
Current with brake motor	A	7.5 at 115 V - 50 Hz single phase 9 at 115 V - 60 Hz single phase 4 at 230 V - 50 Hz single phase 1.8 at 400 V - 50 Hz 3-phase	



# minifor® TR 30S - TR 50

Have been designed to be compatible with the new techniques for high level building sites, to provide you with the best service :



- integral handle for easy carrying
- unlimited length of hoist cable, adapted to the requirement
- suitable for building sites, fast setup
- efficient operation with swivelling suspension hook
- extremely good weight/power ratio
- reduced maintenance



## operational safety :

- upper and lower limit switches
- brake motor
- pendant control with emergency stop
- CE socket

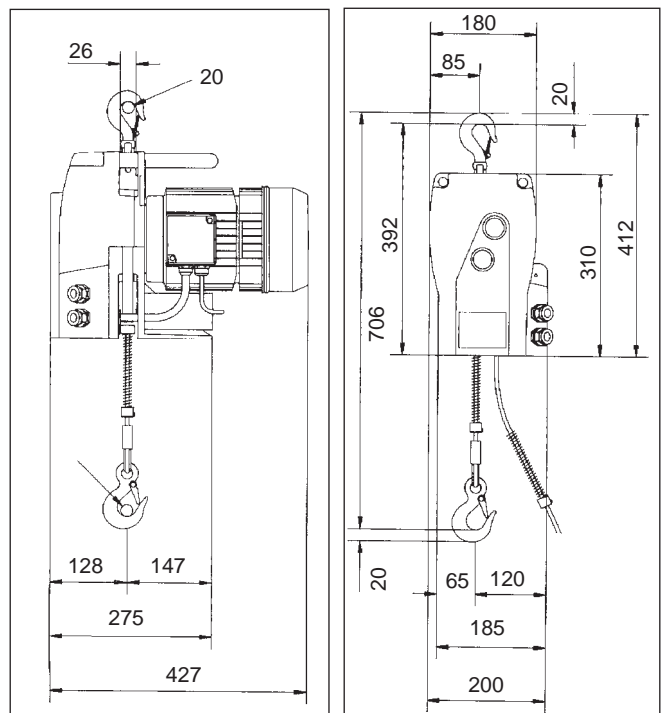
Conform to European directive no. 89/392 - 91/368 - 93/44 - 93/68 - 89/336 and to standards EN 50 081-2 and 50 082-2.

## Options :

- Metal storage case

Model	unit	TR 30S	TR 50
Hoisting capacity	kg	300	500
Hoisting speed	m/min	13	7
Weight of hoist	kg	31.6	31.6
Dimensions of hoist	mm	427x200x412	
Cable diameter	mm	6.5	
Cable weight (per m)	kg	0.170	
Motor power			
single phase	kW	1.1	
3-phase	kW	1.1	
Cable breaking load factor 5	kg	2500	
Power supply		115 V - 50 & 60 Hz - 230 - 50 Hz	
single		230-400 V - 50 Hz	
3-phase			
Operating factor	%	40	
Double insulated control pendant		IP 65 - 3 controls	
Degree of protection		IP 55	
Current with brake motor	A	18 at 115 V - 50 Hz single phase	
		20 at 115 V- 60 Hz single phase	
		9 at 230 V - 50 Hz single phase	
		3.4 at 400 V - 50 Hz 3-phase	

«France Stade» building site

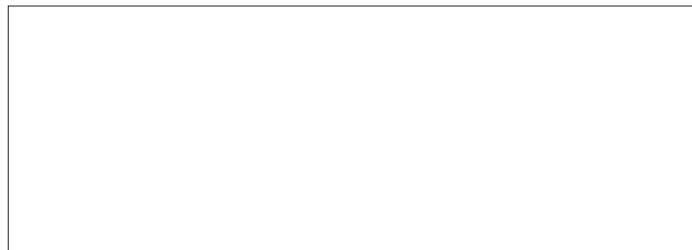


# beltrac electric belt hoists

*Innovation with unrivalled advantages.*



Model	unit	Beltrac	
Hoisting capacity	kg	300	600
Hoisting speed	m/mn	12	6
Weight of hoist	kg	42 single phase 37.5 3-phase	
Dimensions of hoist	mm	640x260x435	
Belt size	mm	30x3	
Motor power single phase	kW	1.1	
3-phase	kW	1.1	
Belt breaking load	kg	3500	
Power supply single / 3-phase		230-400 V - 50 Hz	
Operating factor	%	40 30 starts / hour	
Double insulated control pendant		IP 65 - 3 controls	
Degree of protection		IP 55	
Current with brake motor	A	9 at 230 V - 50 Hz single phase 5.9/3.4 at 230/400 V 3-phase	



TRACTEL S.A.  
29, rue du Progrès  
F-93108 Montreuil Cedex  
Tél. 01.48.58.91.32  
Fax 01.48.58.19.95



SECALT S.A.  
3, rue du Fort Dumoulin  
Boîte postale 1113  
L-1011 Luxembourg  
Tél. 43.42.42-1 - Fax 43.42.14-200.